

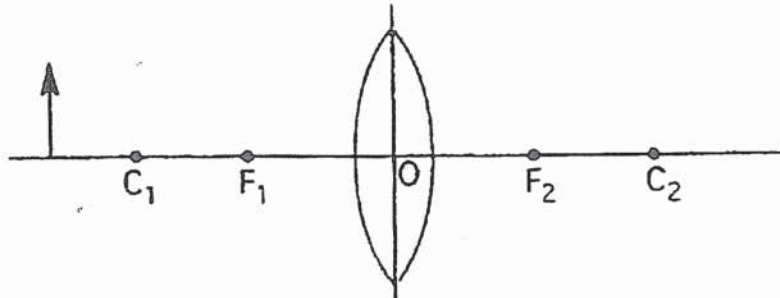
Name: _____

Date: _____

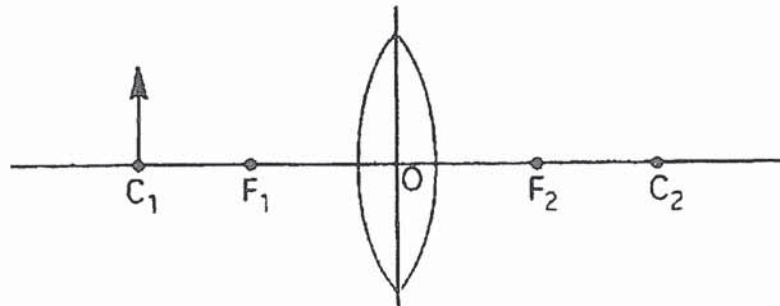
Block: ____

Locating Images Formed by Convex Lenses
(Gore – Physics One; p.260)

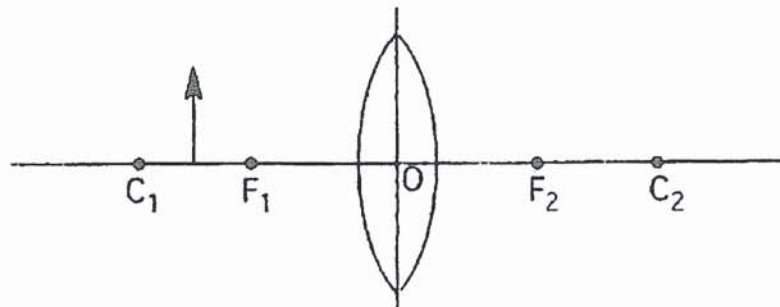
(a)



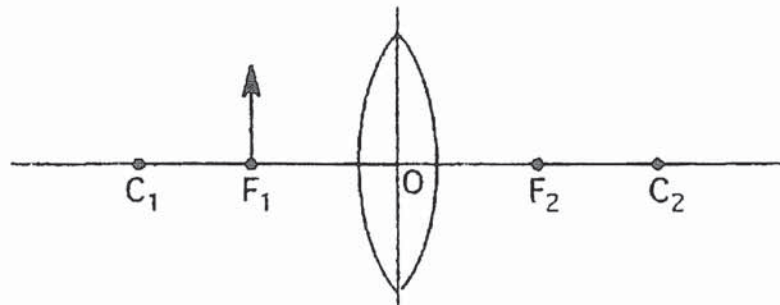
(b)



(c)



(d)



(e)

